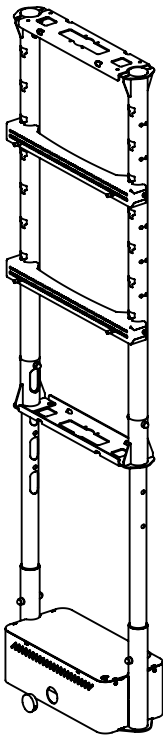


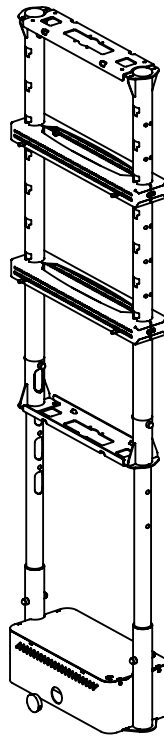
Installation Guide

SPDS41xx

Height adjustable in-window mount for
portrait screens up to 75"



SPDS4101



SPDS41011





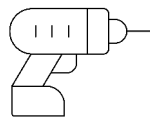
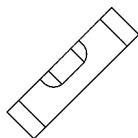
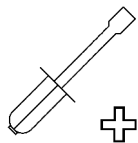
CAUTION

- Please ensure that you read and understand the content of the installation guide, before you begin the installation process.
- This product must be installed by a professional installer. More than one person needs to be involved in the installation of this product.
- Do not overtighten the fixings.
- The maximum weight limit for the hardware (screen, accessories etc.) for SPDS4101 and SPDS41011 is 100 kg. Do not exceed the stated weight limit.
- This product is intended for indoor use only.
- This product needs to be bolted to the floor. It is the responsibility of the installer to use the appropriate floor fixings for the specific installation location. Please follow the fixing suppliers recommendations for installation.
- Always follow the installation guide from the hardware manufacturer for correct installation.
- Do not power the hardware until the entire solution is fully assembled.
- If these installation instructions are not followed precisely, it could lead to product failure and potential personal injury.
- Ergonomic Solutions / SpacePole Inc. cannot be held responsible for any product failure or personal injury, if the installation instructions are not followed correctly.
- Ergonomic Solutions / SpacePole Inc. cannot be held responsible for any product failure or personal injury, if any modifications have been made to the product by the customer.

MAINTENANCE

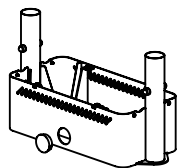
- It is the responsibility of the customer to periodically check the installation and ensure it is clean, all air ventilation holes are free and all fixings are tightened correctly.

Tool list



Box content

SPDS4101



1x (A)



1x (F)



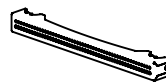
2x (B)



2x (C)



2x (D)



2x (E)



1x 2,5mm Allen key



1x Ø44.5 plug



1x 4,0mm Allen key



1x 6,0mm Allen key



4x M8 nut



4x M8x60 screw



8x M8 nut cap



4x M4x8 countersunk screw

4x Ø8.4/Ø15.5x5 Spacer

4x Ø8/Ø16 washer

4x M6x12

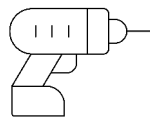
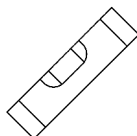
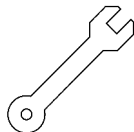
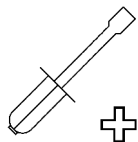
4x M8x16

4x M8x25

4x M8x35

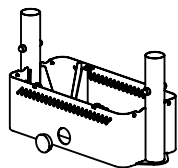
1x MK15-0076

Tool list



Box content

SPDS41011



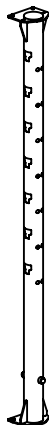
1x (A)



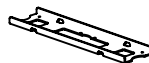
1x (F)



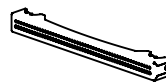
2x (B)



2x (C)



2x (D)



4x (E)



1x 2,5mm Allen key



1x \varnothing 44.5 plug



1x 4,0mm Allen key



1x 6,0mm Allen key



4x M8 nut



4x M8x60 screw



8x M8 nut cap



4x M4x8 countersunk screw

4x \varnothing 8.4/ \varnothing 15.5x5 Spacer

4x \varnothing 8/ \varnothing 16 washer

4x M6x12

4x M8x16

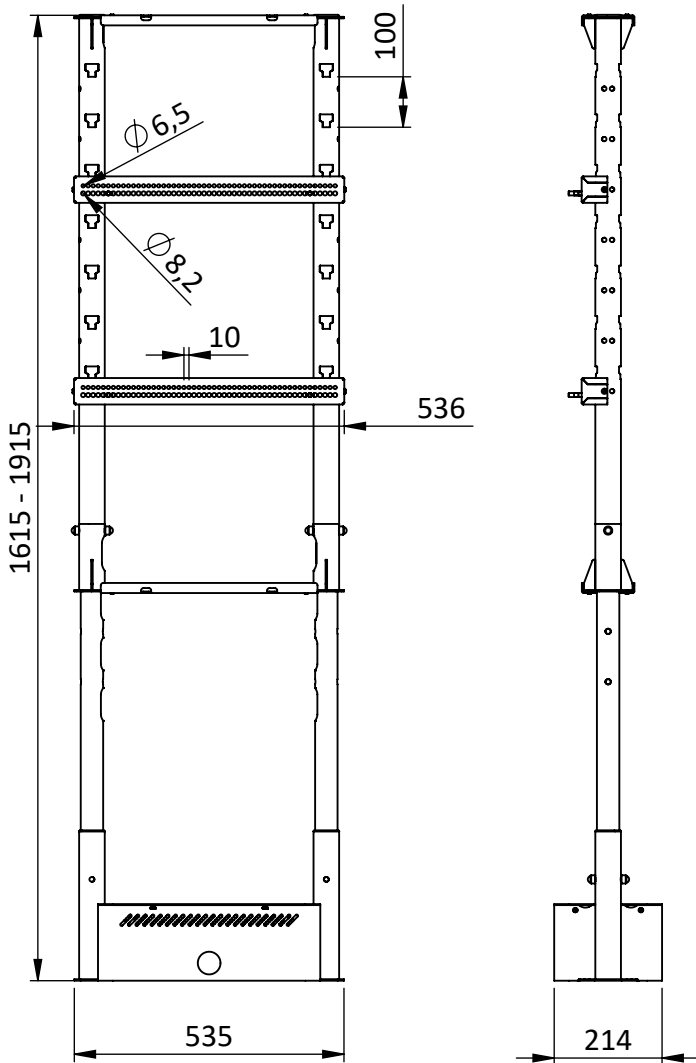
4x M8x25

4x M8x35

2x MK15-0076

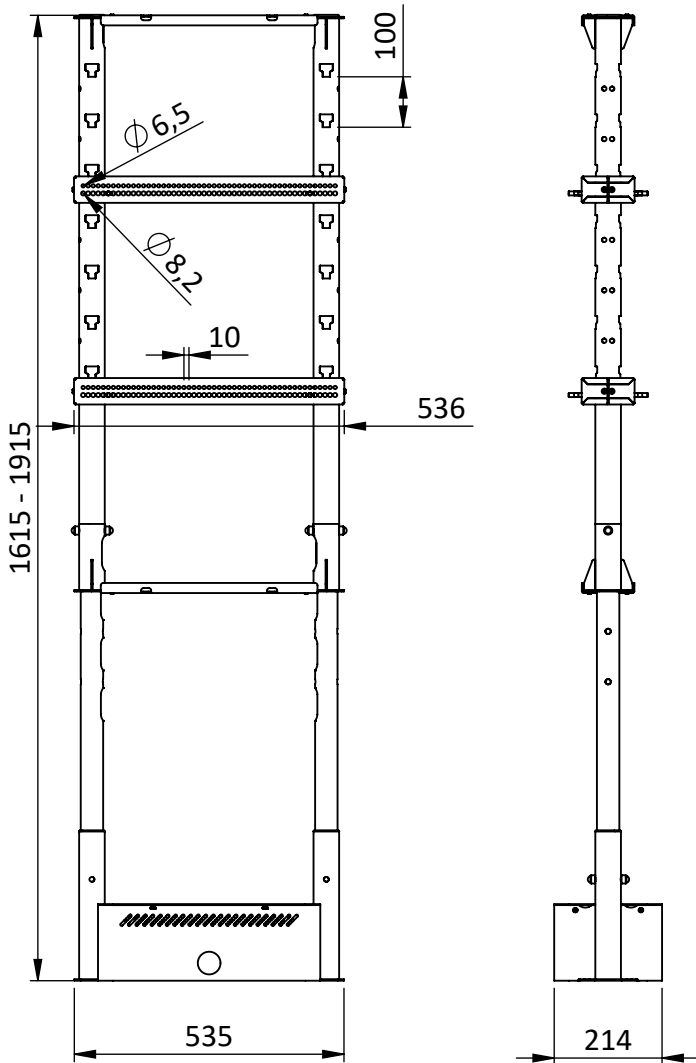
Dimensions [mm]

SPDS4101



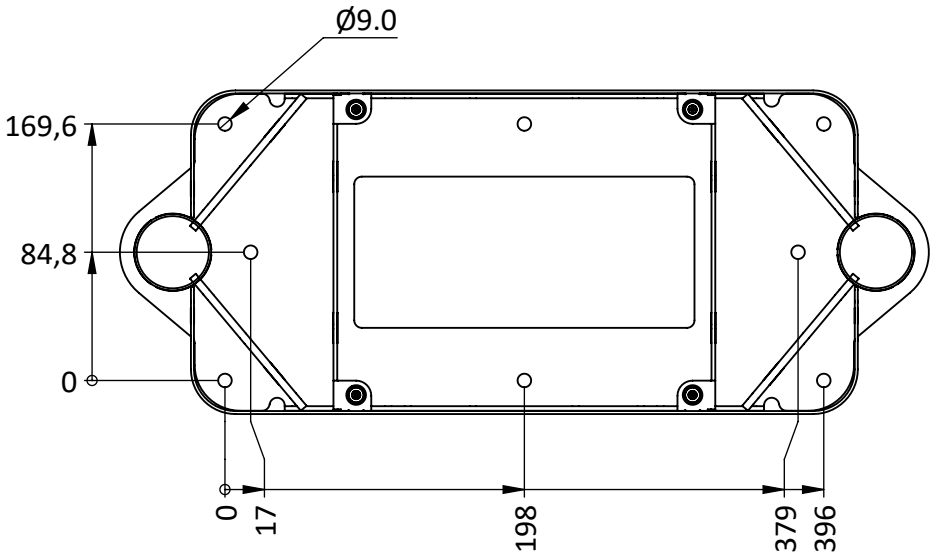
Dimensions [mm]

SPDS41011

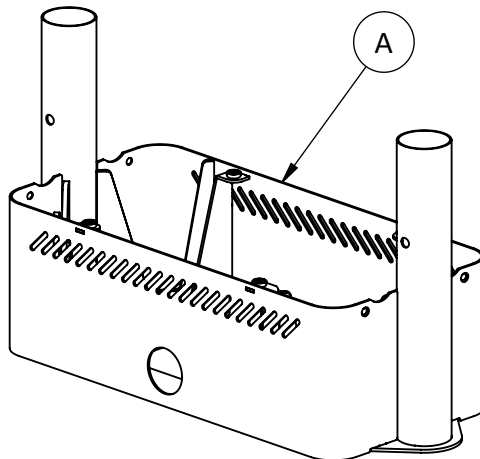


Steps

Step 1: Install part (A) to a level floor. Use the 8x $\varnothing 9$ holes. Note fixings are not included.

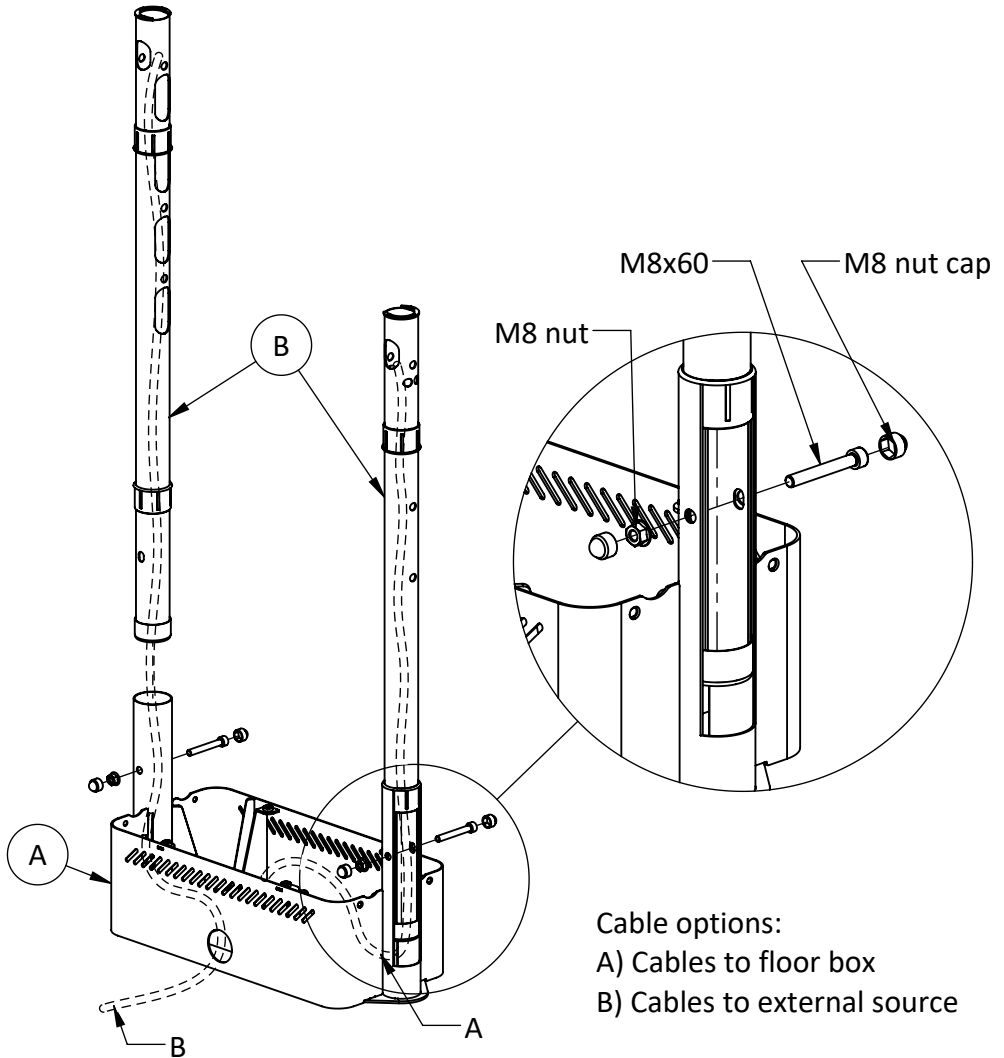


WARNING: It is the responsibility of the installer to use the correct fixings for the specific installation site.



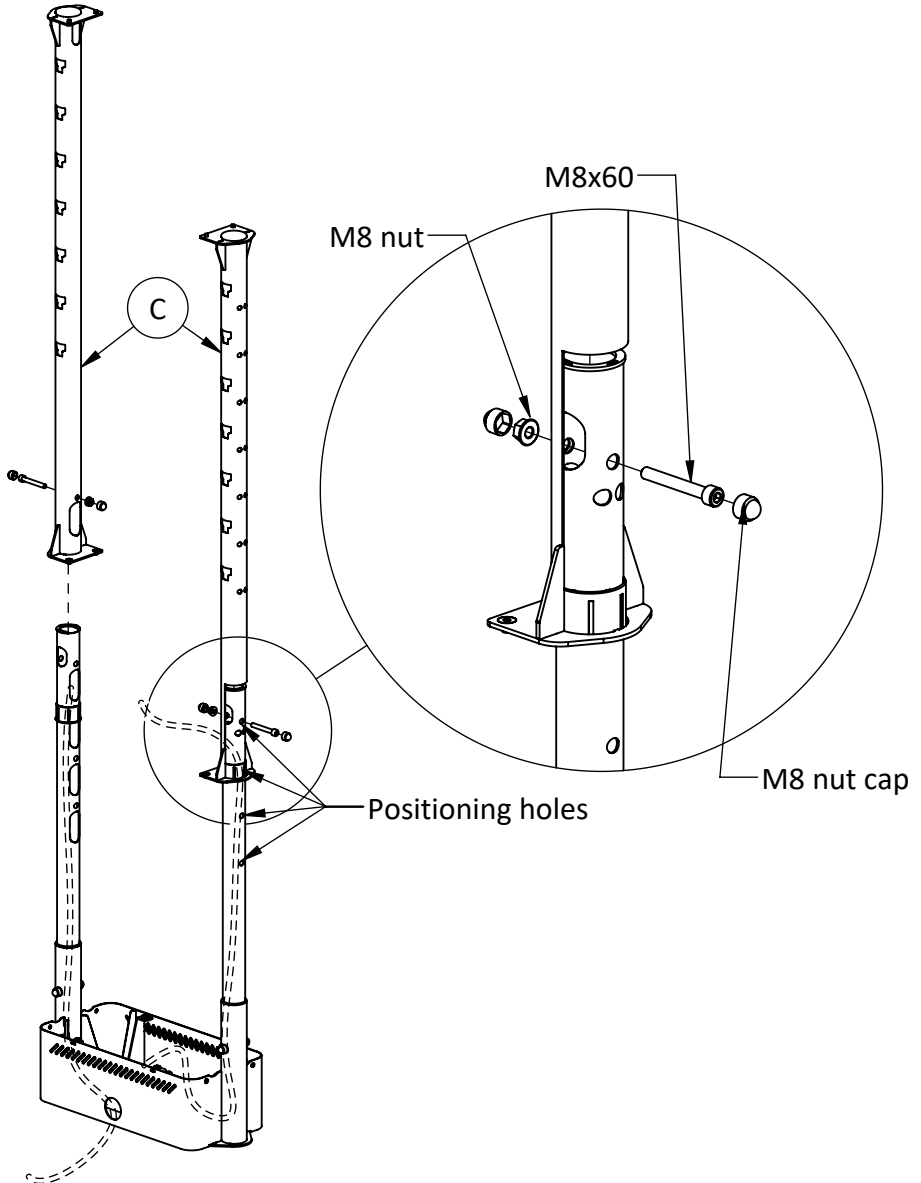
Steps

Step 2: Slide in the two (B) parts. Route cables from the base up through part (A) & (B). Then use the 2x M8x60mm bolt and 2x M8 nuts. Finish with adding 4x M8 end caps.



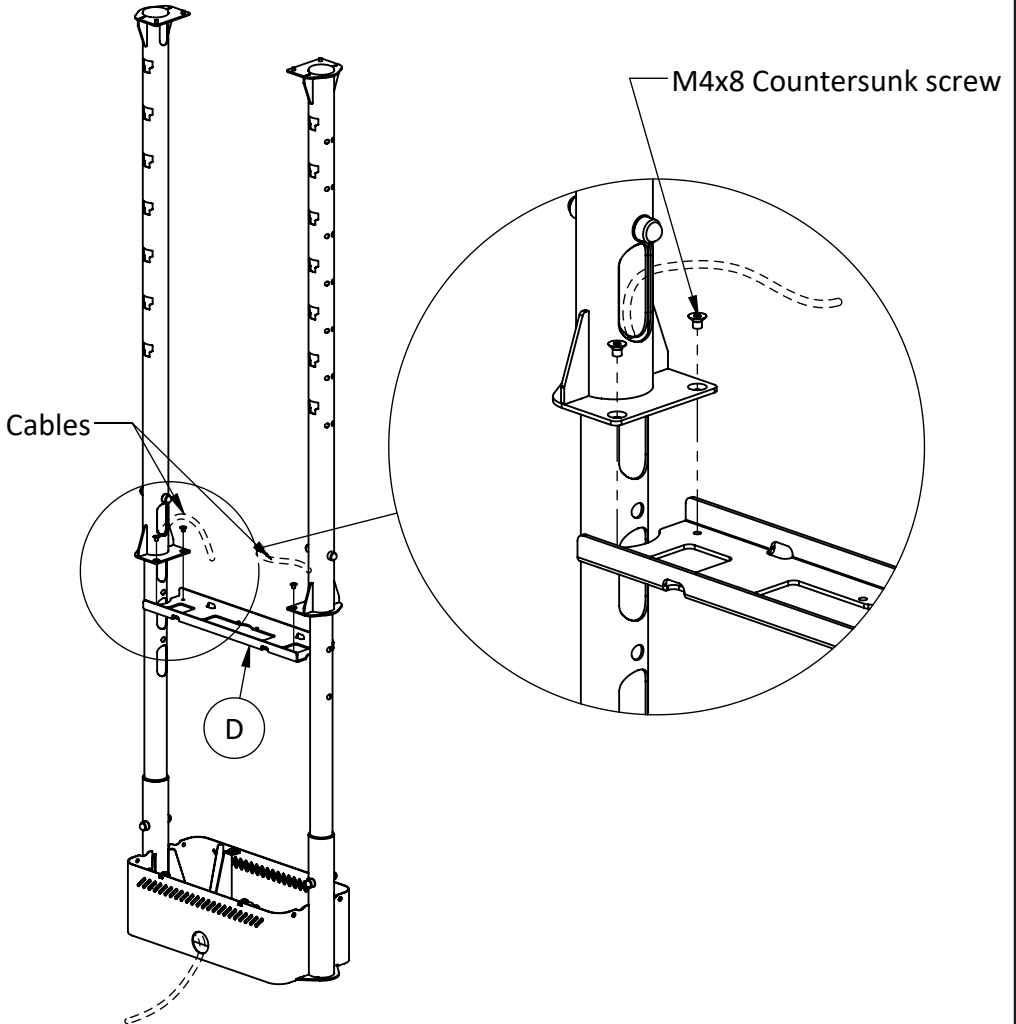
Steps

Step 3: Choose between 4 positions, depending on how tall the solution needs to be. Install the two (C) parts & route the cable through the cable management hole. Use the 2x M8x60mm bolt and 2x M8 nuts. Finish with adding 4x M8 end caps.



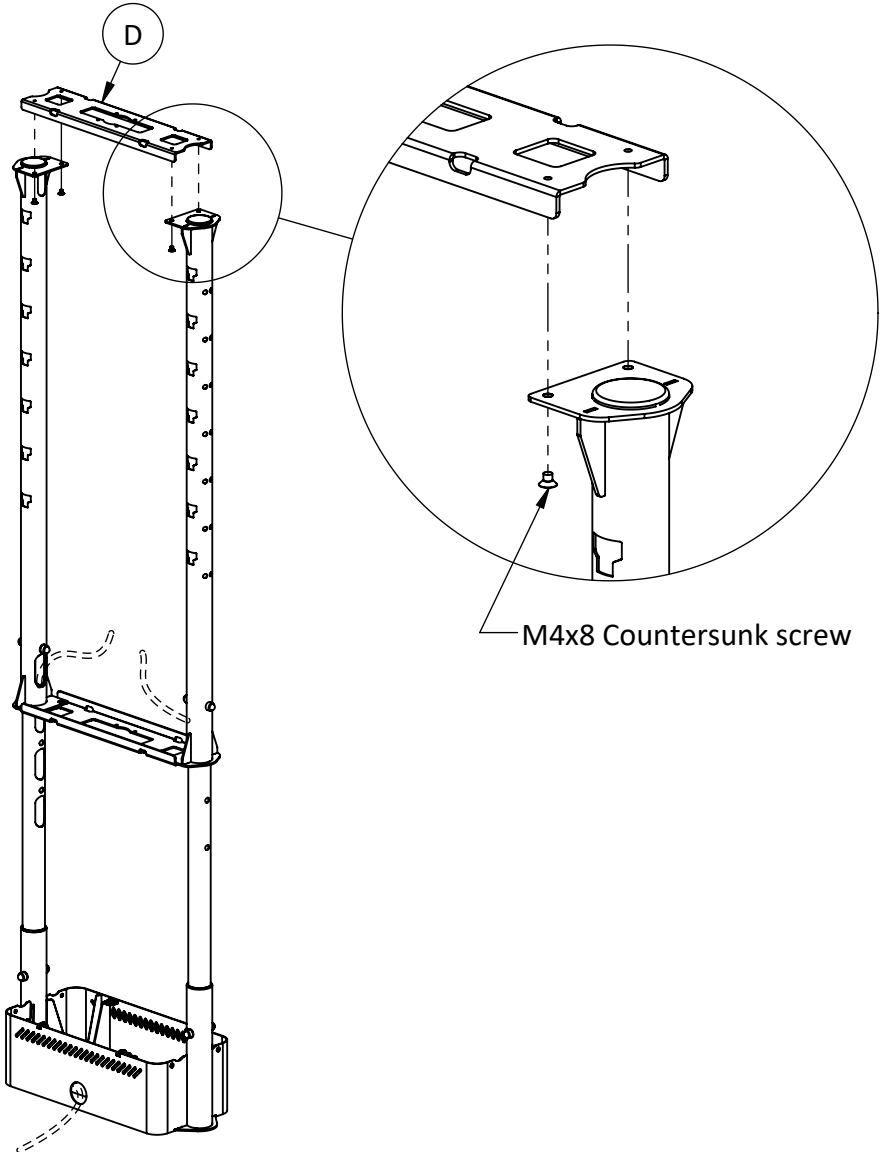
Steps

Step 4: Use 4x M6 x 8mm countersunk screws and install part (D).



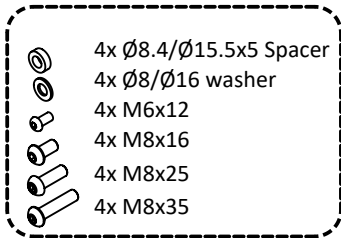
Steps

Step 5: Use 4x M6 x 8mm countersunk screws and install part (D).

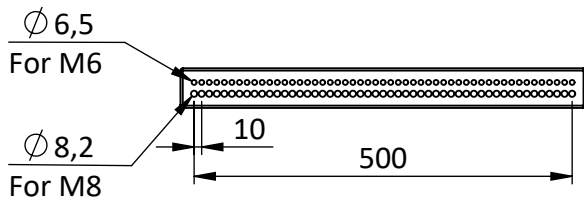
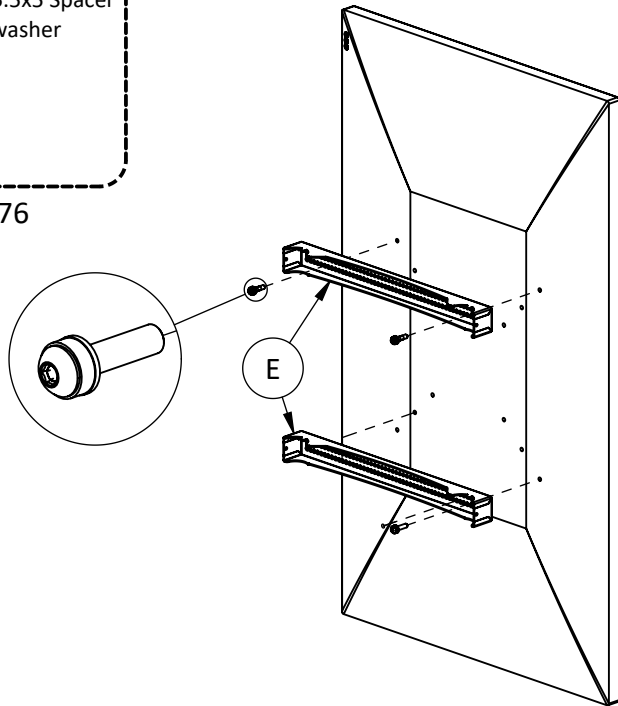


Steps

Step 6: Install part (E) to the screen. MK15-0076 is supplied with different screws and spacers for proper installation. Note $\varnothing 6,5$ holes are used for M6 screws. $\varnothing 8,5$ holes are used for M8 screws.



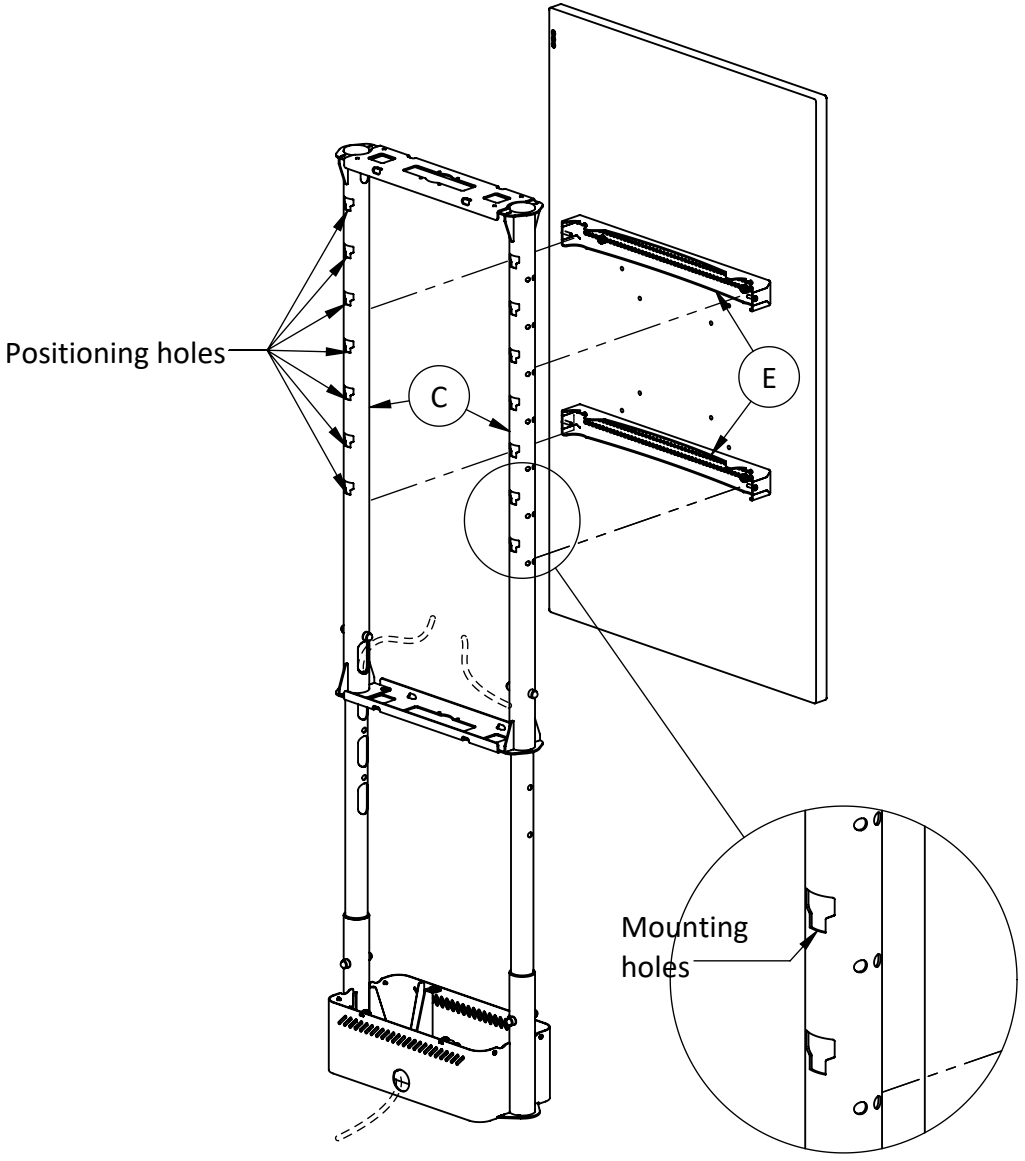
MK15-0076



SPDS4101 has 2x VESA brackets
SPDS41011 has 4x VESA brackets

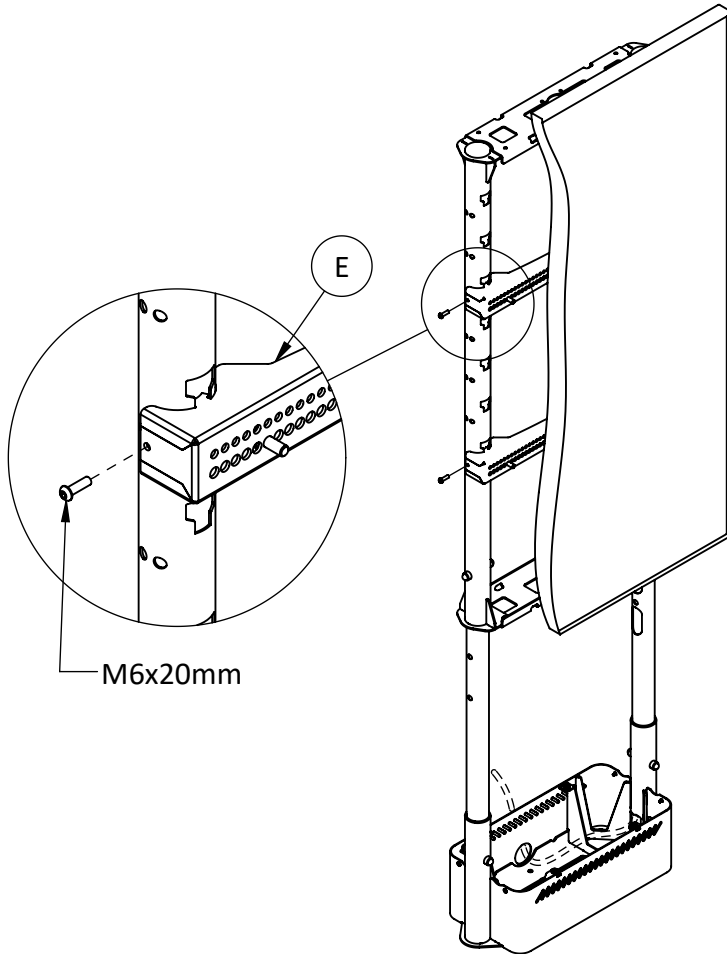
Steps

Step 7: Install the screen at the desired height. The screen can sit on either side of part (C). Part (E) hooks into the holes of part (C).



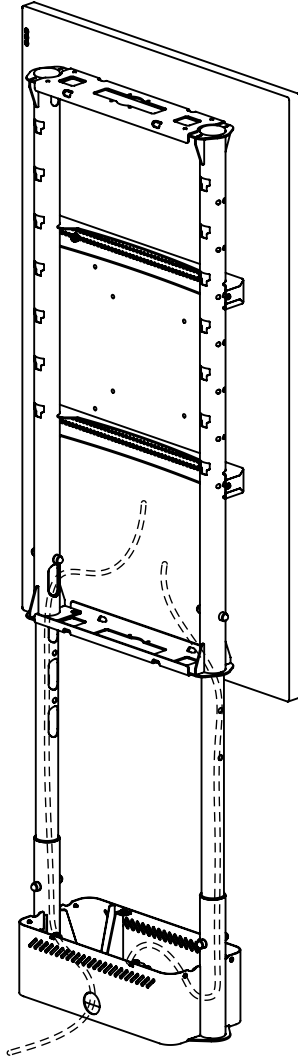
Steps

Step 8: To lock the screen to the in-window floor stand install 4x M6x20mm screws



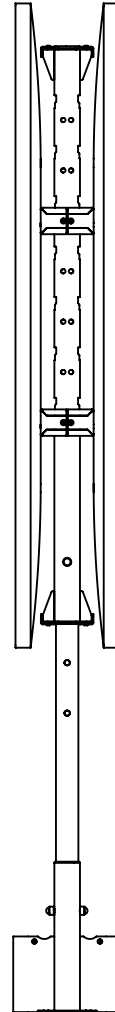
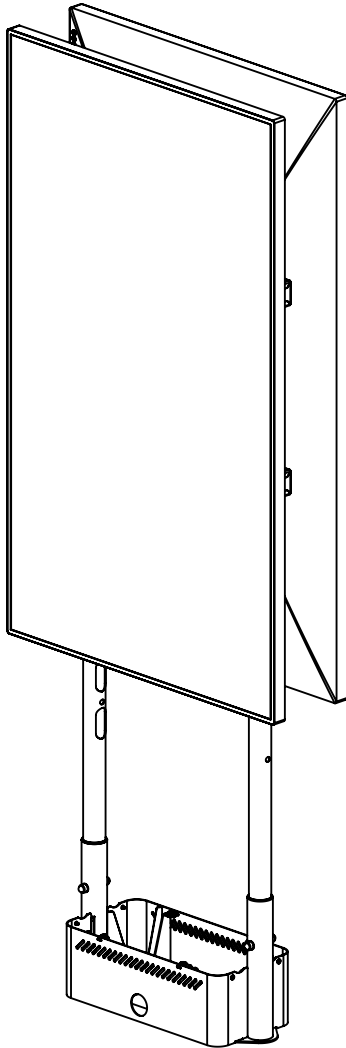
Steps

Step 9: Connect the cables to the screen.



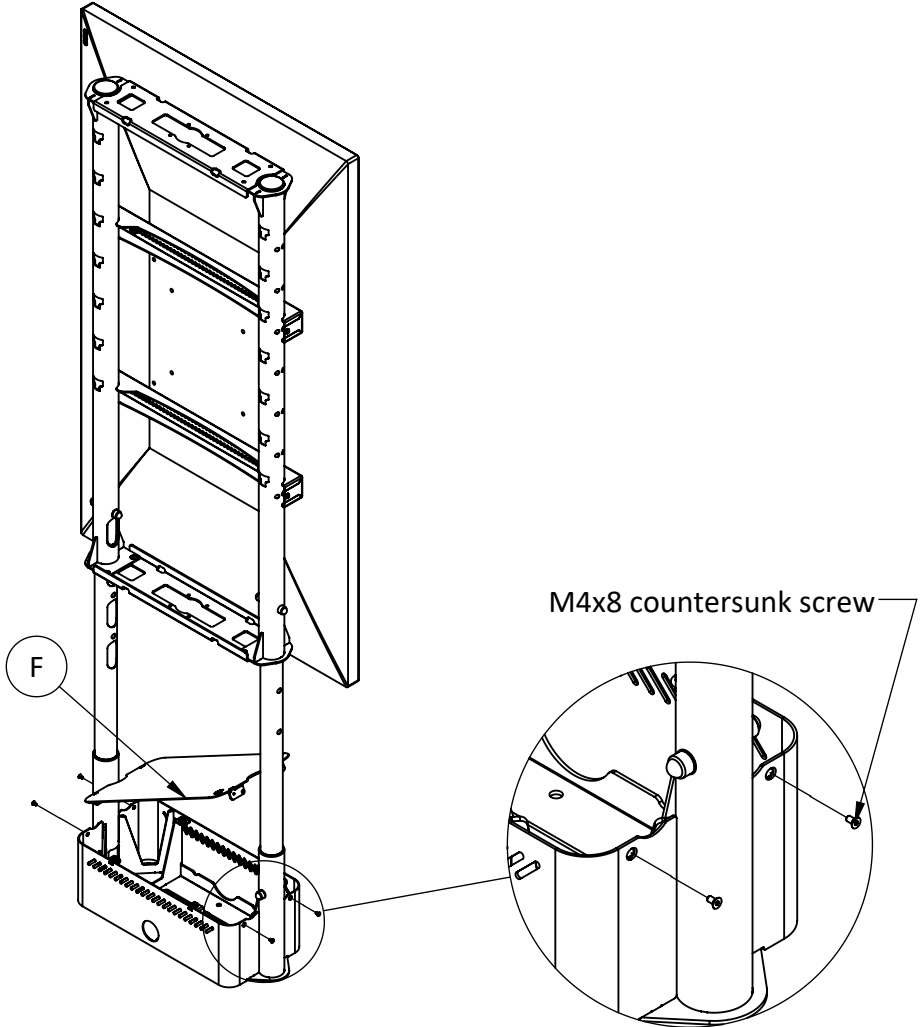
Steps

Step 10: For SPDS41011 only - to mount the second screen, repeat step 6 to 9. This results in the Dual-sided adjustable in-window mount.



Steps

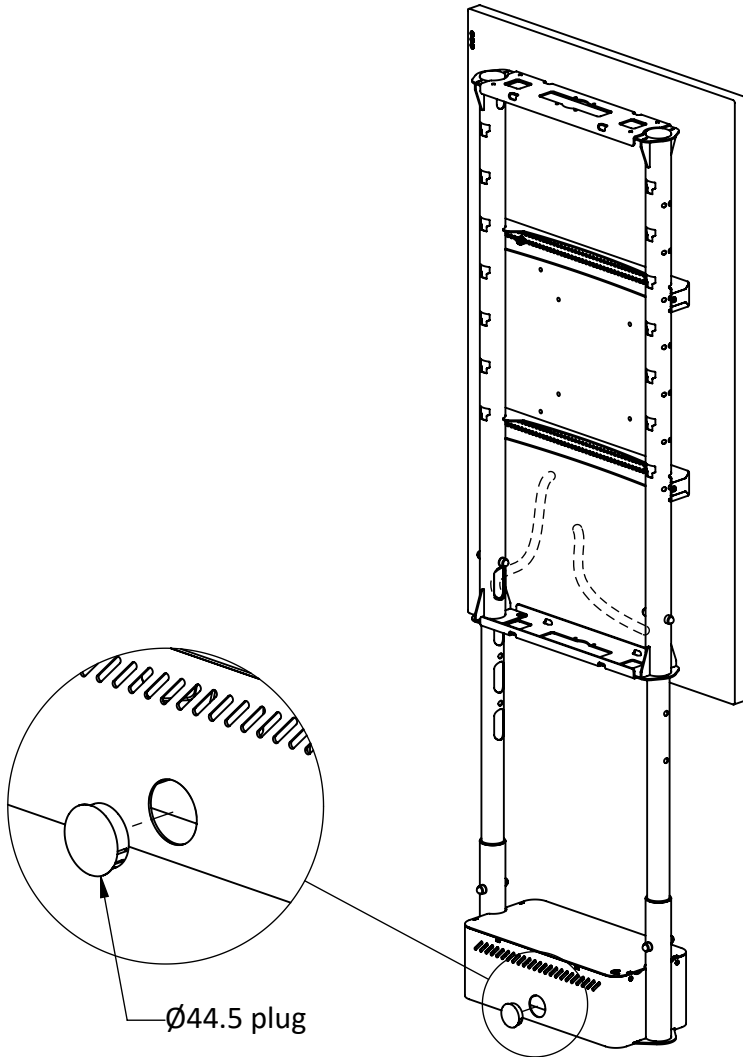
Step 11: Install part (F) to part (A). Part (F) can be fixed using 4x M4x8mm countersunk screws.



Steps

Step 12: If cables are run into floor box, then install the plug, to close off the base.

NOTE: Valid for both SPDS4101 & SPDS41011



This page intentionally left blank

Need help? Contact us



ergonomic.solutions/about/contact-us

spacepole.com/about/contact-us